

CleanCut™

Autopsy saws
and extraction
system



de Souther
MEDICAL

CleanCut™ saw systems

low voltage and air

The De Soutter Medical CleanCut™ autopsy saw system incorporates a saw handpiece and an extractor system which operates to the highest standards of pathogenic debris containment and filtration.

The safe 42 V d.c. handpiece is fully immersible allowing it to be routinely scrubbed and disinfected after use.



The clear-view plastic extractor hood can be rotated to the most convenient working position. The 3 metre long extractor hose is smooth bored for efficient flushing and disinfecting.



Improved cutting access is allowed by the slim, extended nose incorporated on the handpiece.

A rotary knob, located on the control box, allows the saw oscillating speed to be varied from zero to maximum for optimum cutting efficiency. The control box is splash proof for easy cleaning.



Saw and control box system complete NS3A

NS3 saw specification

Oscillating speed range	0-14000 osc/min.
Voltage	42 V d.c.
Motor protection	Overload cut-out, auto reset
Mode of operation	Continuous
Cable length	4 metres
Length	275 mm
Weight	1.15 kg
Sound level	70 dB(A)

Degree of protection against ingress of liquid
IP67-immersible at 1 metre



NS3 Electric Saw

NS170-T air driven oscillating saw

This saw has been specifically developed to allow repeated sterilization by vacuum steam autoclaving



Oscillating speed	17000 osc/min.
Air consumption	3.3 l/s (7cfm).
Normal operating pressure	7 bar (101 lbf/ in²)
Length	267 mm
Weight	0.86 kg
Sound level	75 dB(A)
Order code	222664

See page 4 for saw blade and co-axial hose options.



The suction rate can be switched between powerful 'high' and quieter 'low' setting.



Extraction is switched on and off by the handpiece button. Once switched off, the extractor will run for a further 5 seconds to purge system of debris.

NS3 Saw and extractor system complete CNS3A

The extractor has five levels of filtration enabling the system to meet the highest health standards. The first level is a disposable inner bag which retains debris when removed from the extractor for disposal.

Level 2 is a zipped cloth outer bag which retains debris if the inner bag fails. Alternatively it may be disposed of with inner bag without opening the zip.

Levels 3 and 4 comprise two cloth filters which protect the micro filter in the event of a split or poorly fitted paper or cloth bag. They may be rinsed and soaked in disinfectant if required.

Level 5 is a micro filter which is located within the extractor units power head. It contains 99.997% of particles greater than 0.5 microns.

Control box specification

Supply voltages	120 V~ or 230 V~
Output to saw	42 V d.c.
Supply frequency	50-60 Hz
S.R.S.	Safety reset system
Splash proof	IP64
Weight	2.95 kg
Dimensions	240L x 128H x 120W

Extractor specification

Supply voltages	120 V~ or 230 V~
Motor power (max.)	1 kW
Supply frequency	50-60 Hz
Suction	2500 water gauge mm
Sound level	58 dB(A)
Filtration	99.997% >0.5 microns
Debris bag capacity	7.5 litres

NS3 saw and extractor system comprises:

System components		U.K. 230 V UK plug	Euro 230 V Euro plug	U.S.120 V U.S. plug
NS3 saw	Order code	1250444	1250444	1250444
Hose kit	Order code	5550	5550	5550
Extractor and control box	Order code	5280	7850	5270
Complete system	Order code	CNS3A-230UK	CNS3A-230EU	CNS3A-120

NS3 saw and control box with handles - less extraction - comprises:

NS3 saw	Order code	1250444	1250444	1250444
Control box	Order code	605903	613573	606763
Complete system	Order code	NS3A-230	NS3A-230EU	NS3A-120

All products shown in this catalogue are CE marked and conform to the Medical Devices Directive 93/42 EC.

CleanCut™ accessories

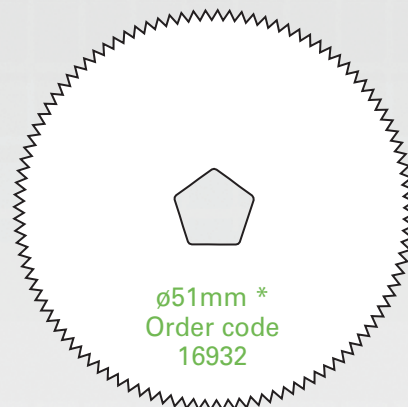
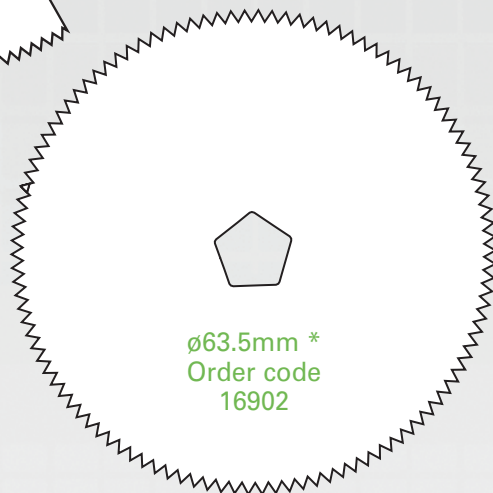
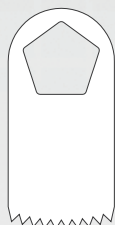
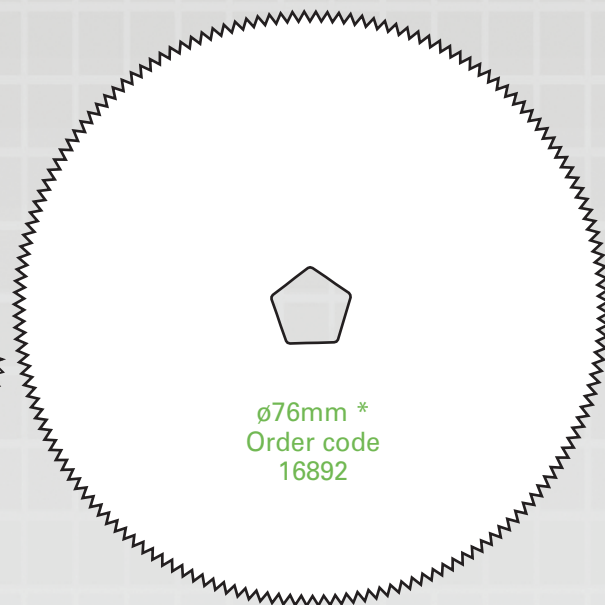
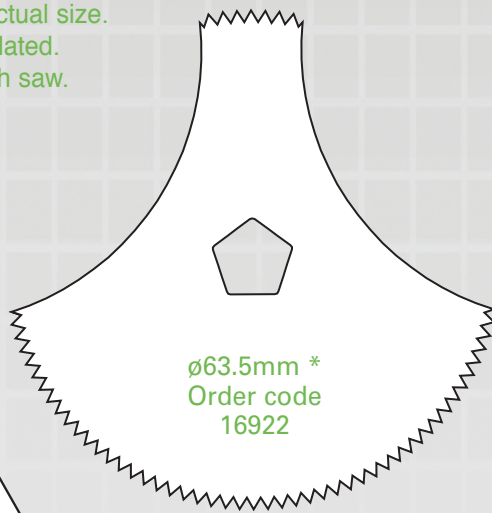
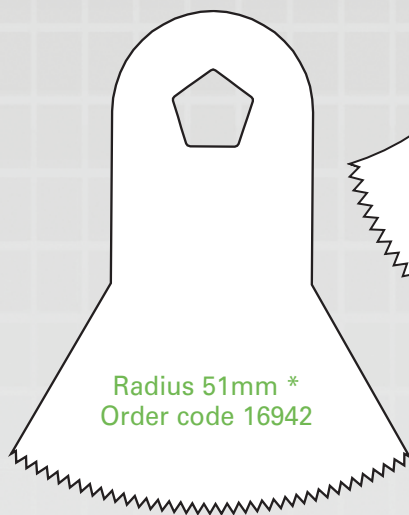
Saw blades and hoses

Saw blades

Saw blades shown actual size.

Steel, hard chrome plated.

* Blades supplied with saw.



Accessories

3 metre NS3 saw extension cable - Order code 5500



Synthetic
inner debris bag -
Pack of 10
Order code 602763



Autopsy
outer debris bag
Order code 5190

Air supply hoses for NS170-T

Combined air supply and
exhaust co-axial hose
which features a special
quick action connector.

Supply end fitting - MA7.
Other probe types available.

3 m length Order code 13000
4 m length Order code 13100
5 m length Order code 13200



De Soutter Medical Limited
Halton Brook Business Park, Weston Road
Aston Clinton, Aylesbury, Bucks HP22 5WF U.K.
Tel: +44 (0) 1296 634 000 Fax: +44 (0) 1296 634 033
Email: info@de-soutter.com Web: www.de-soutter.com

De Soutter Medical USA, Inc.
224 Rolling Hill Road, Suite 12A
Mooresville, NC 28117
Tel: +1 (704) 655 9040 Fax: +1 (704) 987 2035
Email: usa@de-soutter.com Web: www.de-soutter.com

116-EN-8

deSoutter
MEDICAL